



Spec Sheet

DVX DM12 TH

2-Way Active Stage Monitor
12"/1.4", 1500W 


Applications

- Main vocal stage monitor
- High-output drum or keyboard monitor
- Side-fill monitor for small to medium-scale applications
- Stage monitor system side-fill

Features

- 2-Way Active Stage Monitor
- 90° x 40° directivity
- 12" Neodymium heavy-duty woofer
- 1.4" Neodymium top-class compress. driver
- 1500W RMS Class-D Digipro G2 amplifier
- 24 bit \ 48 kHz DSP
- Dual Active, Multiband, RMS/Peak, Thermal Limiter
- Rotatable front panel (left or right monitor customization)

Description

DVX DM TH Stage Monitor Series it's not just an upgrade of the well-known series DVX DM digital monitors, it is rather a brand new line. These new monitors are the outcome of the collaboration between some of the most important touring professionals and dBTechnologies R&D staff. As a result of this synergy, these products feature acoustic response and performance that suit the most prestigious stages of the international scene.

Thanks to an incredibly high SPL, considering their dimensions, DM TH monitors are suitable for every circumstance; beside, their frequency response can be regulated through the two preset equalizations: Flat EQ and TH EQ.

This monitor series features the phase plug technology, providing a correction of the

phase and frequency response of the 12" or 15" woofer. The result is a coherent horizontal coverage and a great definition of the mid-frequencies.

The DM TH offer a unique feature that is functional to meet the requirements of the most exigent professionals. In few minutes you can change the monitor orientation by rotating the whole frontal panel. The internal geometry of the speaker will be so inverted, moving the horn from the left side to right side, or vice versa. It is now possible to consistently couple two adjacent monitors HF horns and avoid comb filters.

You will be able to discern if a monitor is in a right or left configuration in every moment. Despite the grid has been remounted; a logo will indicate the internal disposition of the transducers. For a vertical usage – like a drum-fill system – it is also possible to rotate the monitor CD aluminium horn, in order to optimize the speaker dispersion and adapt it to the new configuration.

The innovative positioning of the connector panels makes the wiring even more intuitive. Having the inputs (PowerCon® and XLR) on one side and the links on the other one (PowerCon® and XLR), the stage will be orderly, without any cable visible. Beside, this disposition enables the positioning of the adjacent monitors, without any space between the two boxes. As a result, the coupling effect - as well as the stage look - will be optimized.

The DVX DM12 TH is equipped with 12" neodymium heavy-duty woofer, with 4" voice coil. It also features top-class neodymium compression driver, 1500W RMS Digipro® G2 amplifiers and Switched Mode Power Supply with PFC. These features provide the musicians with an excellent listening, even on the most demanding and loud stages.

DVX DM12 TH

Technical Specifications

System Specifications

Speaker Type	2-way Active Stage Monitor
--------------	----------------------------

Acoustical Data

Frequency Response	[- 6dB] 63 - 16.000 Hz [- 10dB] 59 - 18.000 Hz
Max SPL	136 dB
HF	1.4" Neodymium compression driver, 2.5" voice coil
Horn	Aluminium rotatable horn
LF	12" neodymium woofer, 4" voice coil
Directivity	40° x 90° rotatable

Amplifier

Amp Technology	Digipro® G2
Amp Class	Class D
Power RMS	1500 W LF 750 W RMS @4 Ohm HF 375 W RMS @8 Ohm
Peak Power	3000 W
Power Supply	Full-Range 100 - 240 Vac / 50-60Hz with PFC
Inrush current	16.1A
Cooling	Single fan

Processor

Controller	DSP 24 bit
AD/DA Converter	24 bit/48 kHz
System Presets	Flat EQ, TH EQ
Limiter	Dual active, Multiband, RMS/Peak, Thermal
Crossover Frequency LF-HF	1070 Hz
Slope LF-HF	24 dB/Octave

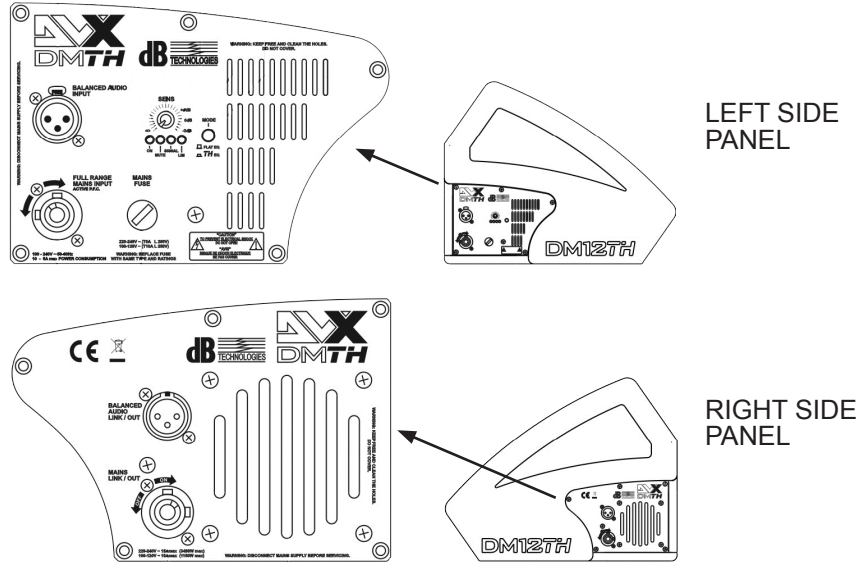
Mechanics

Housing	Multiplex plywood - Polyurea painting
Advanced features	Rotatable front panel (left or right monitor customization)
Angles Up	35°, 55°
Handles	1x left side, 1x right side
Dimension (WxHxD)	670 x 325 x 405 mm – 26.4 x 12.8 x 15.9 in
Weight	24.5 kg - 54 lbs.

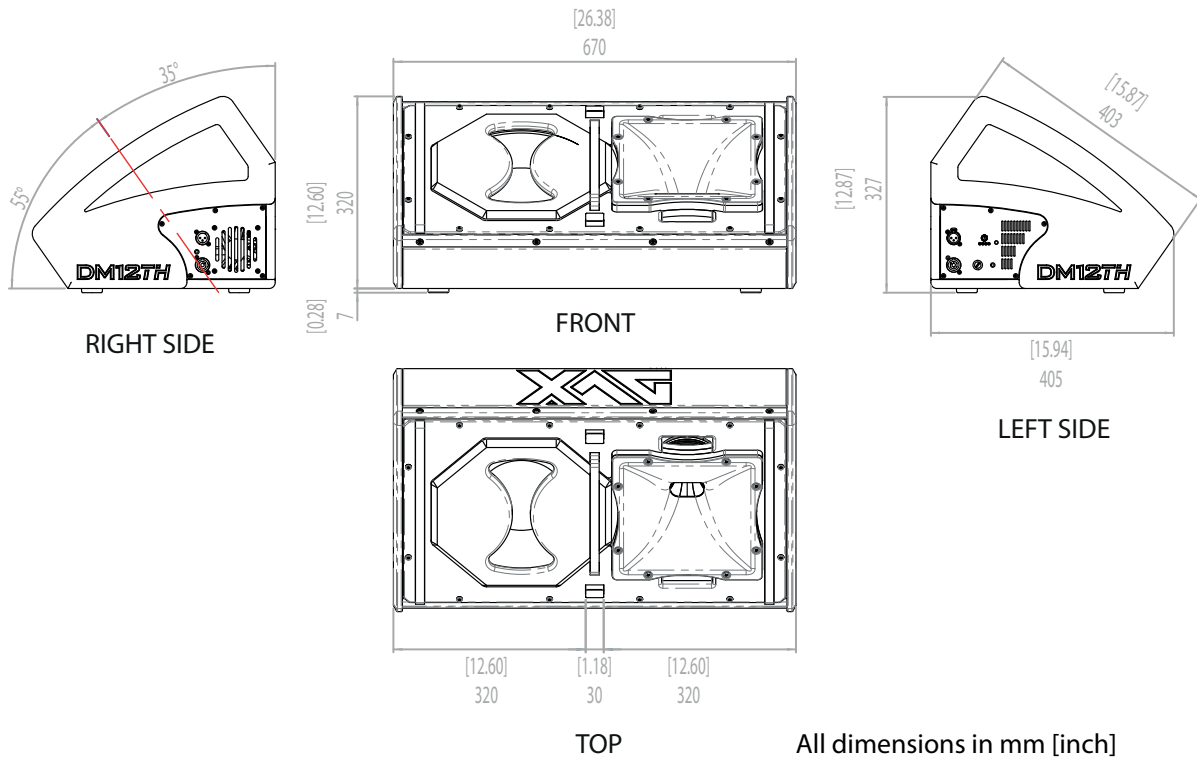
DVX DM12 TH

Technical Specifications

Back Panel



Overall Dimensions



All dimensions in mm [inch]

info@dbtechnologies-aeb.com www.dbtechnologies.com

dBTechnologies products are continually improved. All specifications are therefore subject to change without notice.